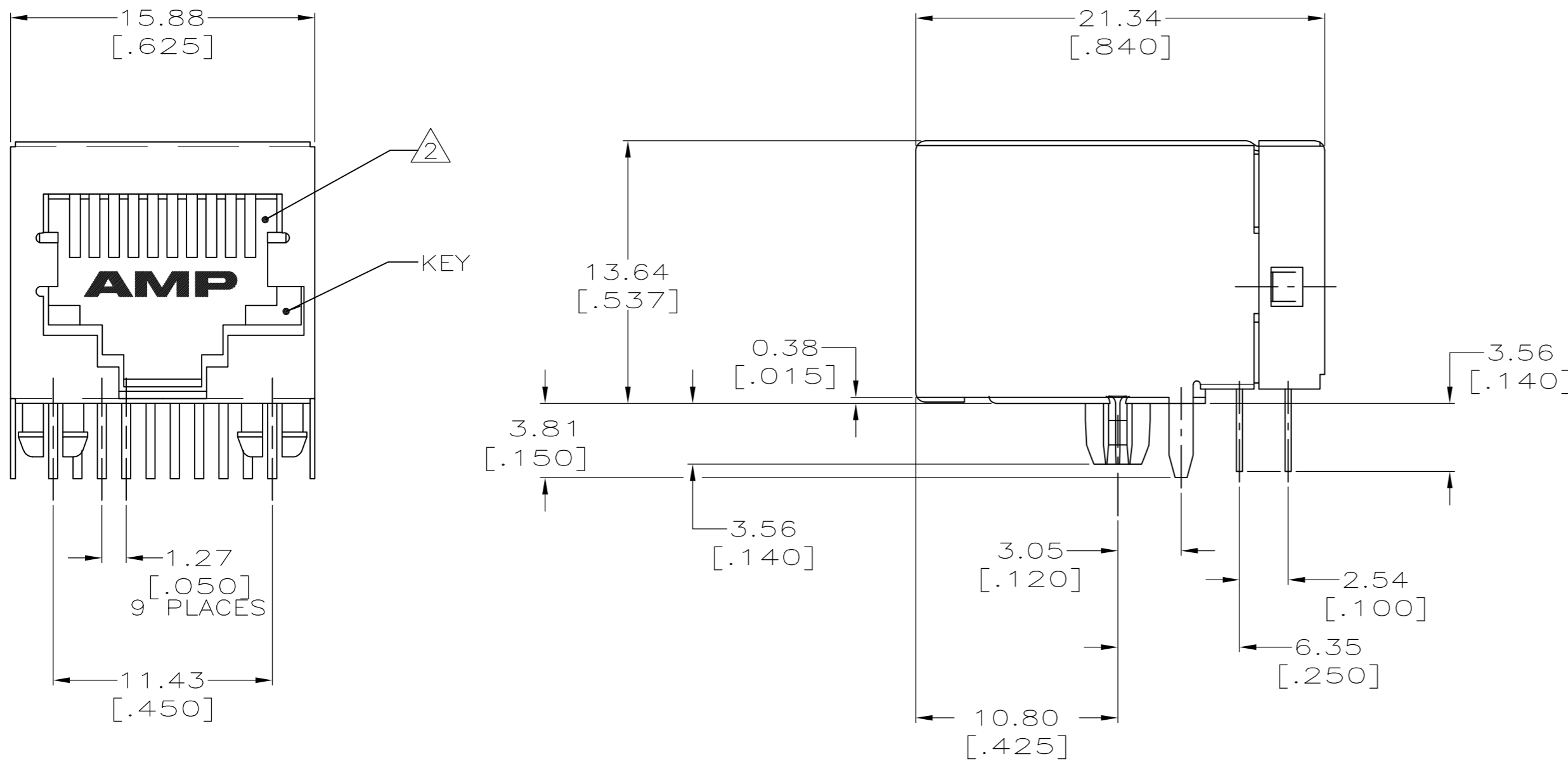
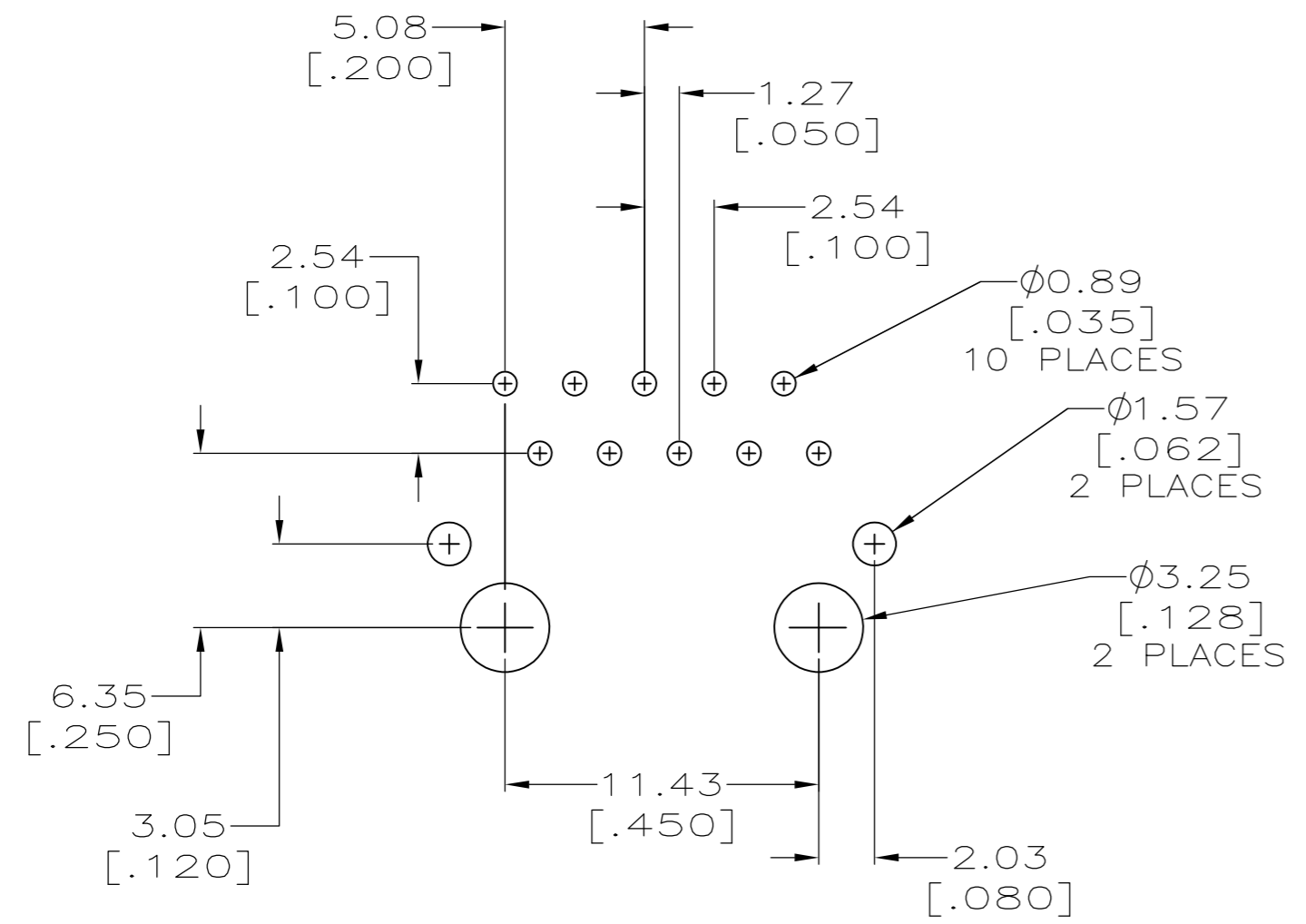


THIS DRAWING IS UNPUBLISHED. RELEASED FOR PUBLICATION
 © COPYRIGHT - By - ALL RIGHTS RESERVED.

LOC	DIST	REVISIONS			
P	LTR	DESCRIPTION	DATE	DWN	APVD
AA	22	B	REV PER ECO-13-017998	16JAN2014	LL SH



- 1 MATERIALS:
 HOUSING-PCT POLYESTER, BLACK, IR REFLOW COMPATIBLE, UL 94V-0.
 TERMINALS 0.33 [.013] THICK PHOS BRONZE PLATED WITH 1.27µm [.000050] MIN THICK HARD GOLD IN LOCALIZED AREA AND 3.81µm [.000150] MIN THICK MATTE TIN IN SOLDER AREA OVER 1.27µm [.000050] MINIMUM THICK NICKEL UNDERPLATE.
 SHIELD-0.25 [.010] THICK COPPER ALLOY PLATED WITH 1.27µm [.000050] MINIMUM THICK NICKEL AND 2.03µm [.000080] MINIMUM HOT DIP ON PCB GROUND TABS.
- 2 JACK CAVITY CONFORMS TO FCC RULES AND REGULATIONS,PART 68 SUBPART F.
- 3. DIMENSIONS ARE NOMINAL UNLESS OTHERWISE SPECIFIED.



SUGGESTED PC BOARD LAYOUT
 VIEW SHOWN IS TOP (COMPONENT SIDE) OF PC BOARD

THIS DRAWING IS A CONTROLLED DOCUMENT.		DWN 07JUN2005 A. FERNANDEZ-DOCK5	TE Connectivity																			
DIMENSIONS: INCHES		CHK 07JUN2005 J. WESTMAN																				
TOLERANCES UNLESS OTHERWISE SPECIFIED:		APVD 07JUN2005 S. FLICKINGER	NAME MODULAR JACK ASSEMBLY,10 POSITION, KEYED,SIDE ENTRY,LOW PROFILE, FULLY SHIELDED,PRINTED CIRCUIT GROUND																			
<table border="1"> <tr><td>0 PLC</td><td>±</td><td>-</td></tr> <tr><td>1 PLC</td><td>±</td><td>-</td></tr> <tr><td>2 PLC</td><td>±</td><td>-</td></tr> <tr><td>3 PLC</td><td>±</td><td>0.13 [.005]</td></tr> <tr><td>4 PLC</td><td>±</td><td>-</td></tr> <tr><td>ANGLES</td><td>±</td><td>-</td></tr> </table>		0 PLC	±	-	1 PLC	±	-	2 PLC	±	-	3 PLC	±	0.13 [.005]	4 PLC	±	-	ANGLES	±	-	PRODUCT SPEC APPLICATION SPEC	SIZE A2	CAGE CODE -
0 PLC	±	-																				
1 PLC	±	-																				
2 PLC	±	-																				
3 PLC	±	0.13 [.005]																				
4 PLC	±	-																				
ANGLES	±	-																				
MATERIAL	FINISH	WEIGHT -	DRAWING NO C=5558068	RESTRICTED TO -																		
CUSTOMER DRAWING		SCALE 1:1	SHEET 1 of 1	REV B																		